

Ambrogio Robot L85

MD-CO-RO-22 - Rev. 2.3 - 16/11/2015 - Ambrogio Robot L85

Spare Parts Catalogue

Previous Revision 2.2
Current Revision 2.3
 From 2015-12

Models Type Included

5085DE0	Ambrogio Robot L85 Deluxe
5085EV0	Ambrogio Robot L85 Evolution
5085EL0	Ambrogio Robot L85 Elite

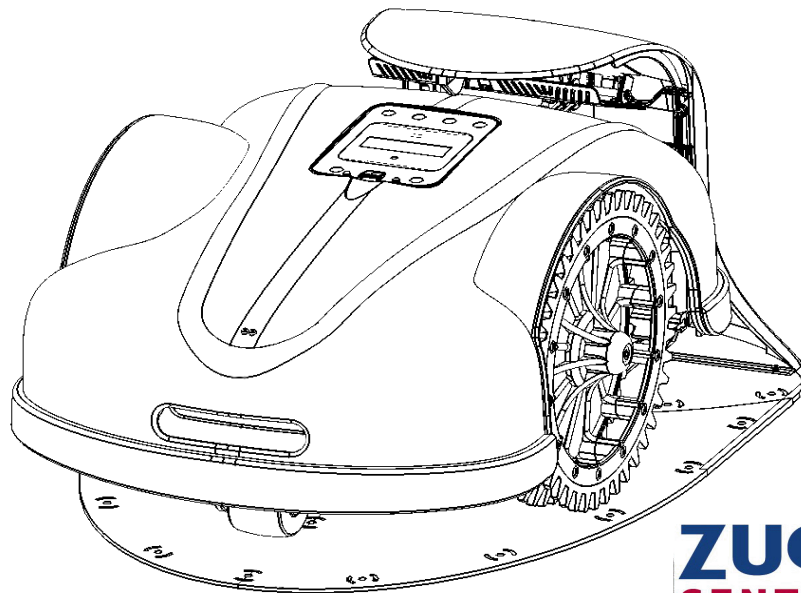
FITS ONLY ON MODELS WITH SERIAL NUMBER

SOLO SU MODELLI CON SERIAL NUMBER

MODELS

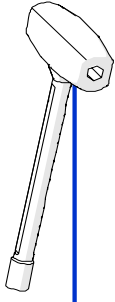
MODELLI

X	X	0	8	5	X	X	X	n	n	n	n	n	n	n	n
---	---	---	---	---	---	---	---	---	---	---	---	---	---	---	---

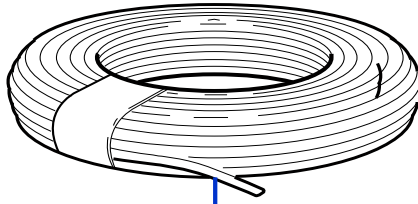


ZUCCHETTI
CENTRO SISTEMI
 LE SOLUZIONI CHE CREANO SUCCESSO

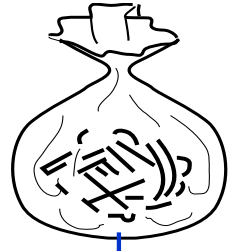
Price List. On
 Listino al pubblico. Trasporto non incluso



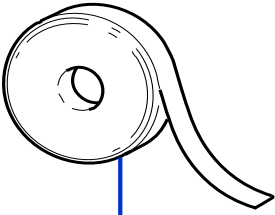
1



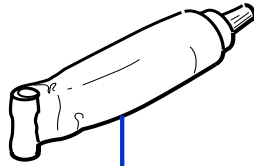
2



3



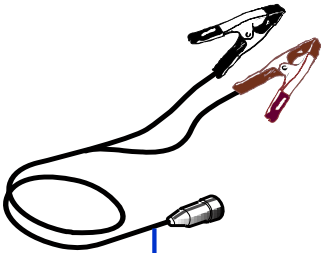
4



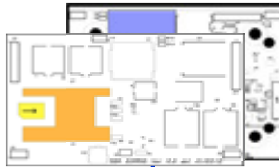
5



6



7



8



9

Tav. **01** **0**
 Tab.
 Taf.

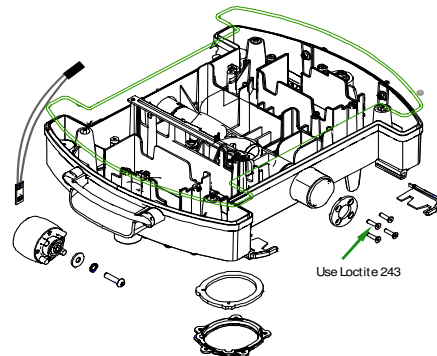
Rif.	Code	Qt.in Robot		(IT) Descrizione * (GB) Description	MOQ
1	075_D005	1		Chiave - Screwdriver	1
2	CS_E00020S	0-1	MT 100	Cavo - Cable	1
2	CS_E0002	0-1	MT 150	Cavo - Cable	1
2	CS_E0002_2	0	MT 200	Cavo - Cable	1
2	CS_E0002_3	0	MT 300	Cavo - Cable	1
2	CS_E0002_5	0	MT 500	Cavo - Cable	1
2	CS_E0002_10	0	MT 1000	Cavo - Cable	1

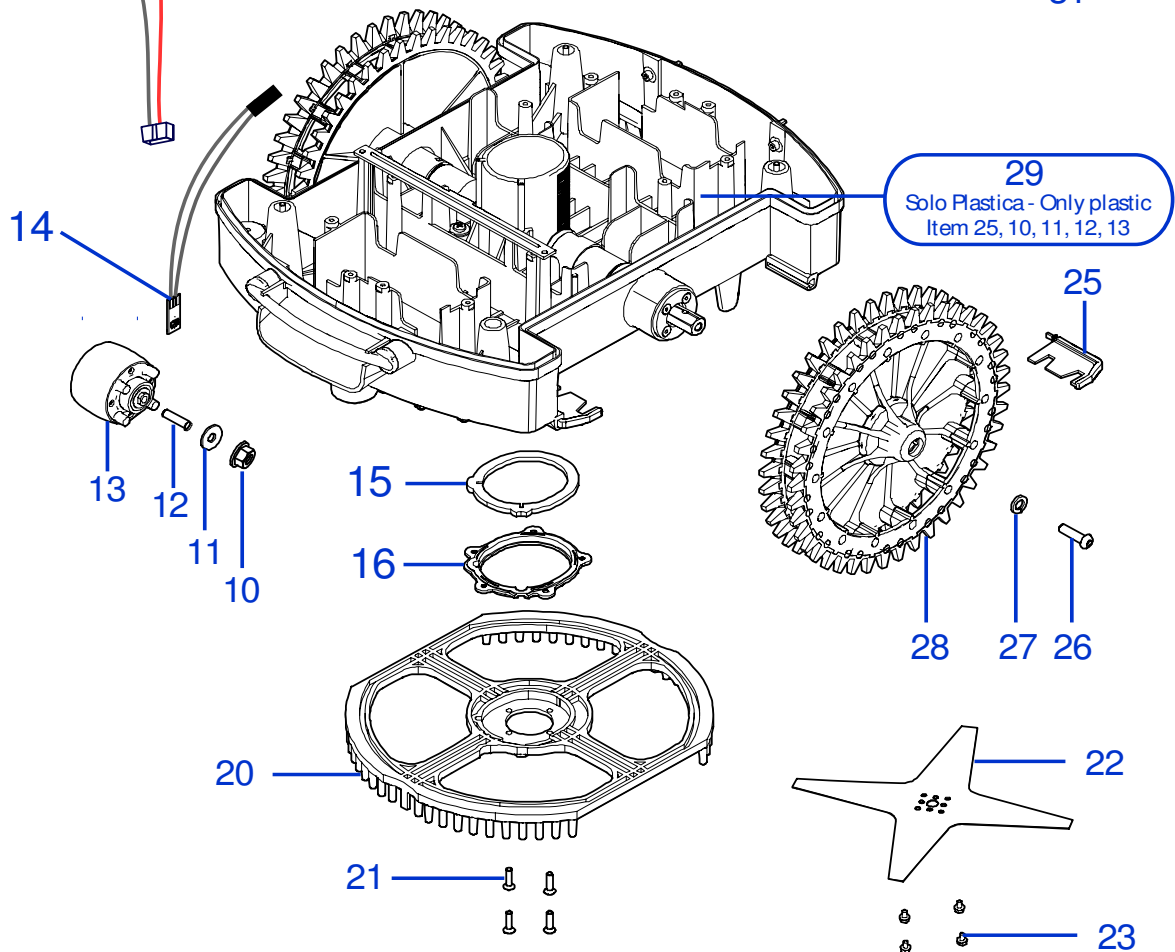
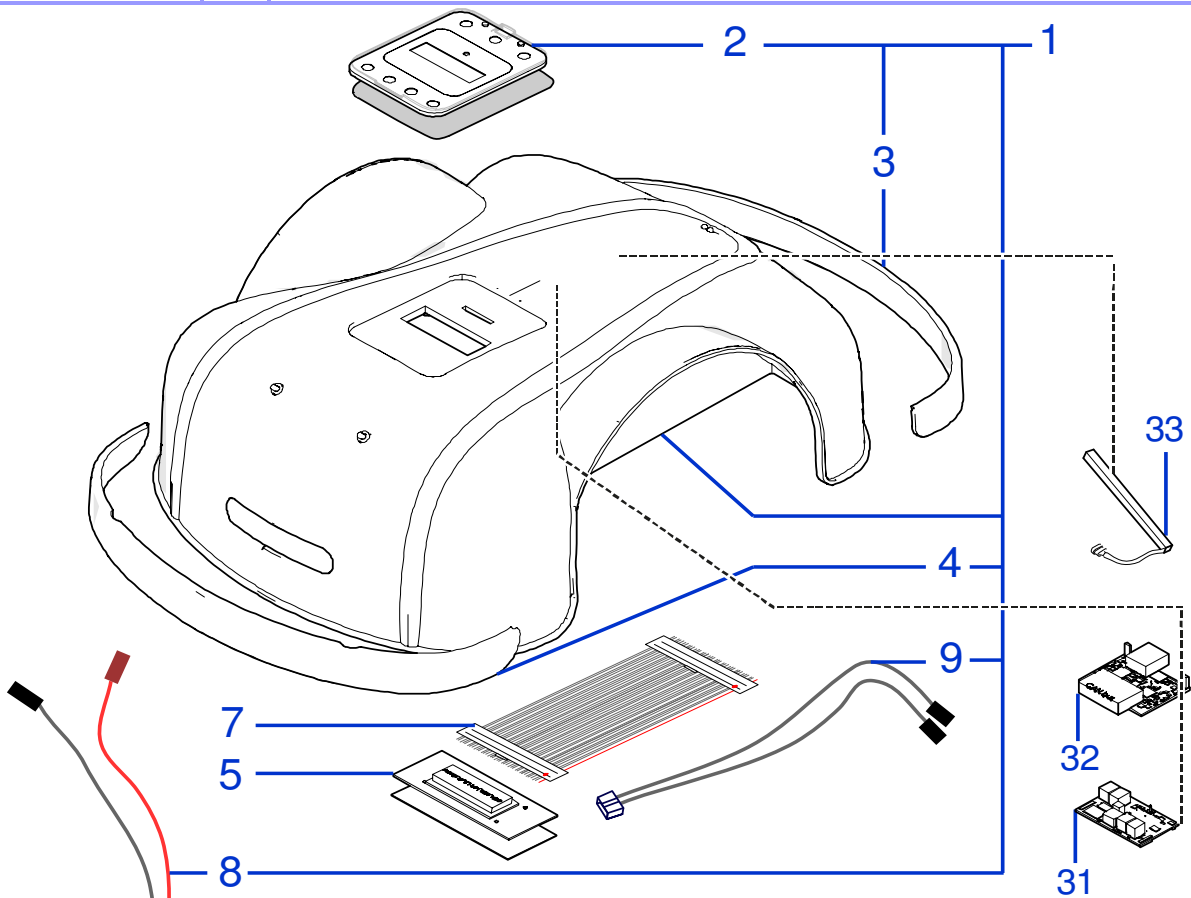
Consegna in 45 giorni dall'ordine - Delivery Time 45 days from order date

3	200A00100A	0-1	(100 Pz)	Conf. Chiodi - Nails Bag	1
3	200A00200A	0-1	(200 Pz)	Conf. Chiodi - Nails Bag	1
4	CS_C0111	0		Nastro Agglomerante - Stretch Electrical Tape	1
5	CS_C0109	0	200 Gr	Grasso - Grease	1
6	AMBCAPROG	0		Programming Cable - Cavo Programmazione	1
7	CB01RICINV3	0		Kit Ricarica Invernale - Kit for Winter Garaging	1
8	CS_GSM-GPRS	0	Only L85 Elite	Kit - Scheda GSM - GSM Board kit	1
9	200A00003	1		(3pcs) - Connettore - Connector	1
9	200A00001	0		(10pcs) - Connettore - Connector	1
9	200A00050	0		(50pcs) - Connettore - Connector	1

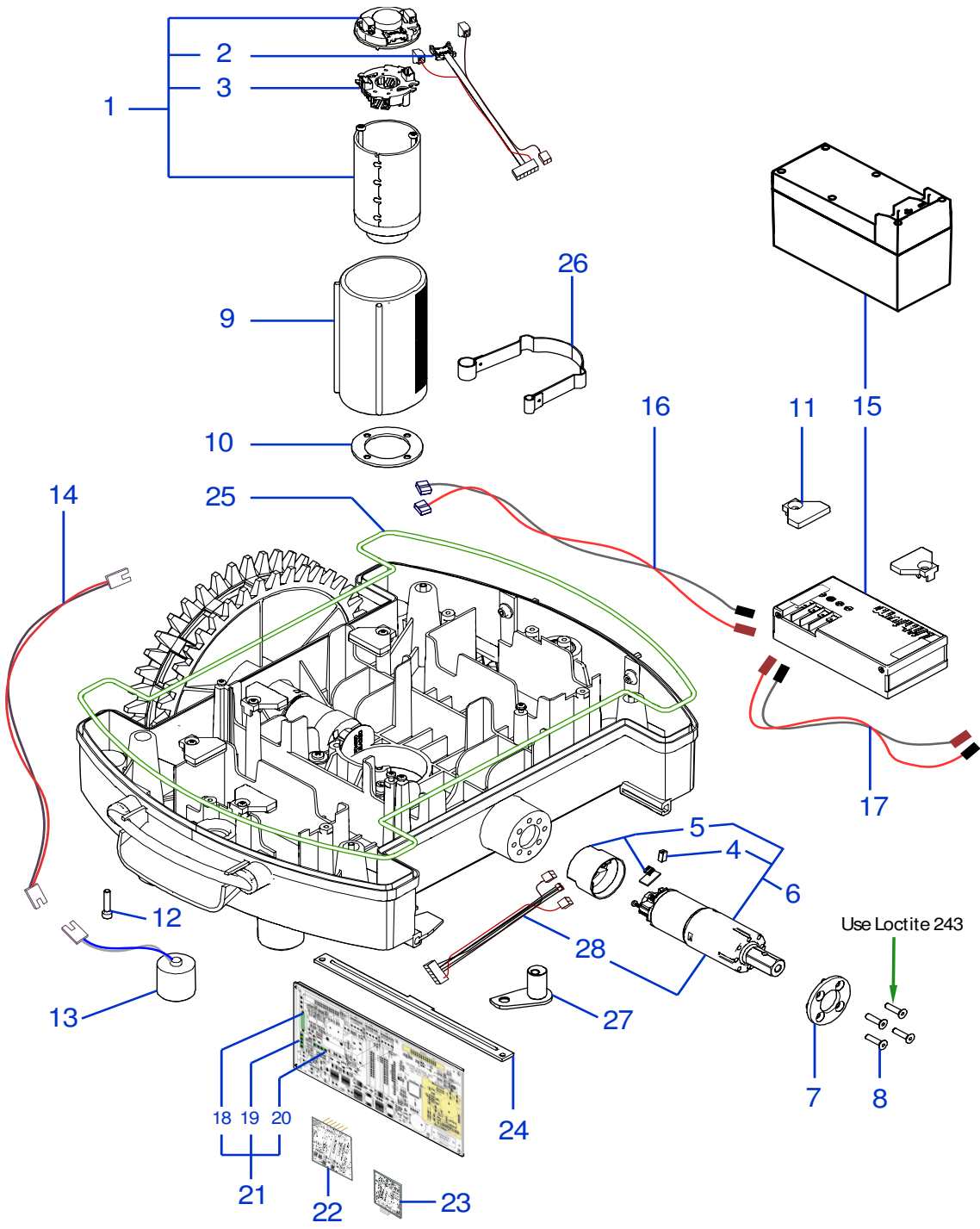
**Solo per rivenditori
 Only for dealer**

Code	(IT) Descrizione * (GB) Description	MOQ
CS_E0032	Kit test batteria - battery test Kit	1
CS_BT_USB	Convertitore USB-Bluetooth - USB-Bluetooth Converter	1
075A0009	Aggiornamento V3->V4E - Upgrade Kit V3->V4E	1

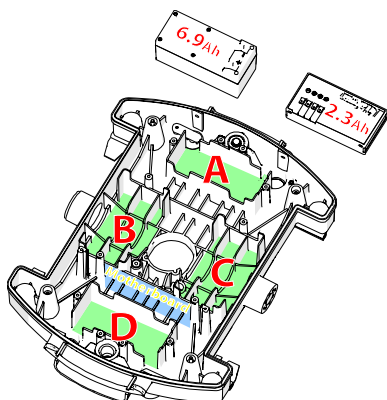




Rif.	Code	Qt.in Robot		(IT) Descrizione * (GB) Description	MOQ
1	085_A0010_D	1	L85 Deluxe	Gruppo Calotta - Cap Set	1
1	085_A0010_E	1	L85 Evolution	Gruppo Calotta - Cap Set	1
1		1		-	
1	085_A0010_L	1	L85 Elite	Gruppo Calotta - Cap Set	1
2	075Z19200A	1		Tastiera - Keyboard	1
3	075Z05000A	1		Paraurti - Bumper	1
4	075Z04900A	1		Paraurti - Bumper	1
IT : Paraurti-Pulire la superficie ed incollare con Loctite 406 EN : Bumper - Clean the surface and glue with Loctite 406					
5	200E01000A	1		Display - Display	1
7	CB01_DI6	1		CPU-Display - Cabling CPU-Display	1
8	CB01_L75	1		Cavo Ricarica - Recharge Cabling	1
9	CB02_L75	1		Cavo Sensore Pioggia - Rain sensor Cabling	1
10	C01767	2		Dado - Nut	10
11	C00361	2		Rondella - Washer	8
12	C01766	2		Grano - Grain	10
13	075Z14600A	2		Ruota Anteriore - Front Wheel	1
14	075E00600A	2		Encoder Ruota - Wheel Encoder	1
15	075Z16000A	1		Guarnizione - Gasket	1
16	075Z13600A	1		Piastra - Plate	1
20	075Z07600AB	1		Campana - Bell	1
21	C00252	4	M5x20	Vite - Screw	10
22	CS_D0155	0	4KF Ø22 Cm	Lama piana a 4 Punte - 4 knives flate blade	1
22	075Z07800A	0-1	4KF Ø25 Cm	Lama piana a 4 Punte - 4 knives flate blade	1
22	CS_D0112_02	0-1	4KF Ø29 Cm	Lama piana a 4 Punte - 4 knives flate blade	1
23	C00212	1	M4x8	Vite - Screw	100
25	075Z10700A	2		(Toothed Wheel) Pulisci ruota - Wheel Cleaning	8
25	075Z19600A	2		(Wheel tire) Pulisci ruota - Wheel Cleaning	8
26	C01518	2	M8x12	Vite - Screw	8
27	C01265	2		Rondella - Washer	10
28	075Z02000A	2		Ruota Dentata 2 denti - Toothed Wheel 2 teeth	1
28	075Z10400A	2		Ruota Dentata 3 denti - Toothed Wheel 3 teeth	1
28	075Z19500A	2		Ruota con copertone - Wheel with tire	1
29	085Z16500A	1		Scocca (Solo Plastica) - Body (Only Plastic)	1
31	400E02200A	1	Only L85 Elite	Scheda GSM - GSM Board	1
32	400E02400A	1	Only L85 Elite	Esp.Seriale - Serial Exp.	1
33	CS_ANT_GSM	1	Only L85 Elite	Antenna - Antenna	1

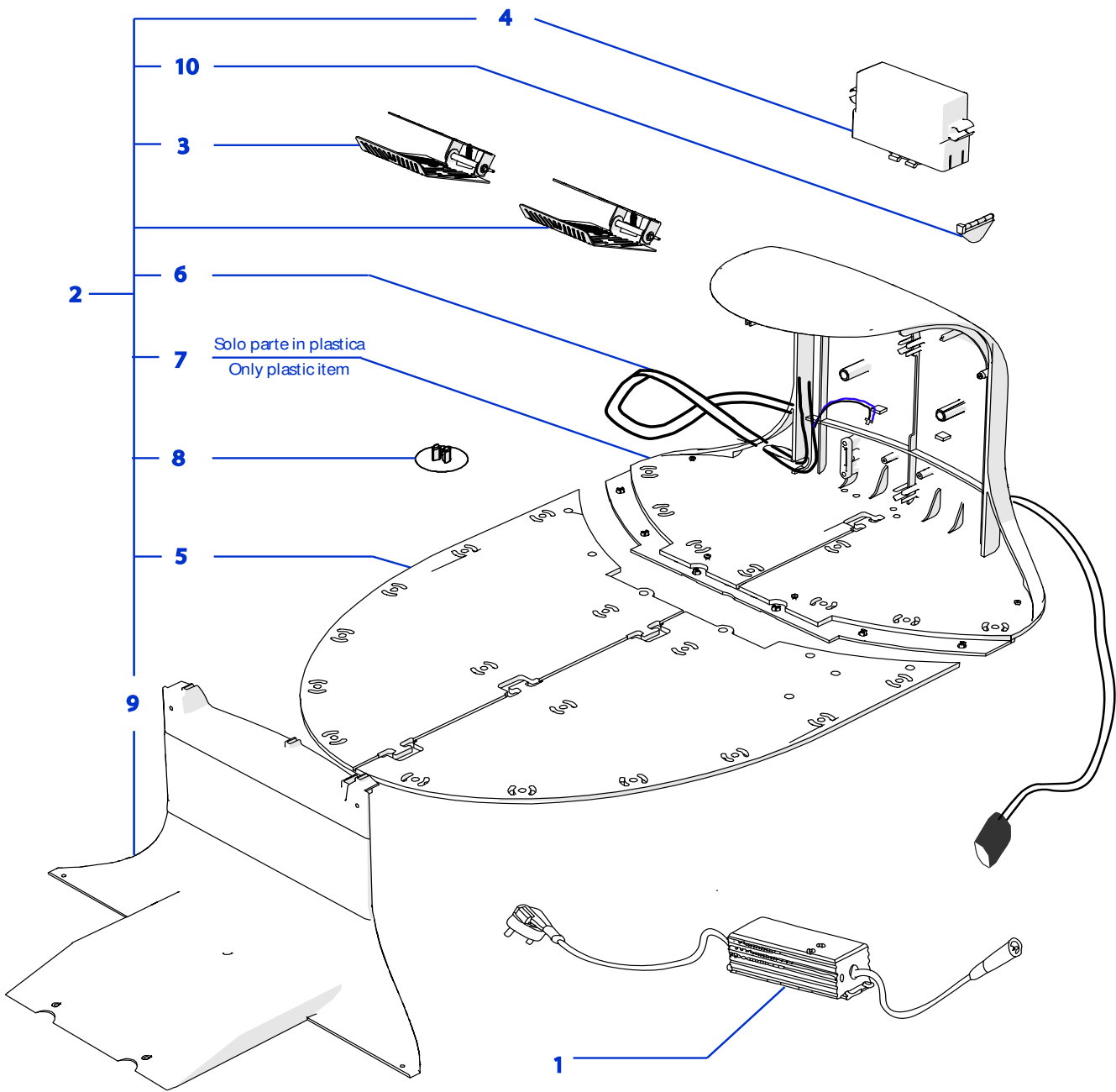


Rif.	Code	Qt.in Robot		(IT) Descrizione * (GB) Description	MOQ	
1	CS_C0009/F_2	1	Brush Robot	(FS) - Motore di Taglio - Group Cutting Motor	1	
1	CS_C0009/212	1	Brushless Robot	(Brushless) - Motore di Taglio - Group Cutting Motor	1	
2	CS_D0122_01	1	Only x Brush	(FS) - Encoder Lama - Blade encoder	1	
3	CS_C0121_01	1	Only x Brush	(FS) - Kit Spazzole e Portaspazzole - Brush & Brush housing	1	
3	CS_C0058	2	Only x Brush	(FS) - Spazzola lama - Blade Brush	1	
4	075_D0014	4	Only x Brush	(FS) - Spazzola - Brush	1	
5	075_D0232	2	Only x Brush	Kit Encoder - Kit Encoder	1	
6	075Z08500A	2	Brush Robot	(FS) - Motoriduttore - Motor Reducer	1	
6	075Z11000A	2	Brushless Robot	(Brushless) - Motoriduttore - Motor Reducer	1	
7	075Z06900A	2		Supporto Ruota - Wheel support	1	
8	C01317	8		Vite - Screw	100	
9	075Z04500A	1		Supporto Motore - Motor support	1	
10	400Z07500A	1		Supporto - Support	1	
11	110Z12900A	2		Fissaggio Batteria - Battery Clamp	1	
12	C00067	4	M5X25	Vite - Screw	10	
13	CS_C0004_L	2		Bobina - Coil	1	
14	CB06_L75	1		Prolunga Bobina - Cabling Coil-Receiver	1	
15	075Z01300A	1-2	Lithium (25.9V 2.5A)	(Type B) - Batteria - Battery	1	
15	CS_C0106/1	1	Lithium (25.9V 7.5A)	(Type B) - Batteria - Battery	1	
16	CB03_L75	1		CPU-batteria - Cabling CPU-Battery	1	
17	CB04_L75	0-1		batteria-batteria - Cabling Battery-Battery	1	
18	A210517	1	F4 - 250V 500/630mAD	Fusibile - Fuse - (500 Ceramic 630 Glass)	10	
19	A210543	1	F3 - 32V 30A	Fusibile - Fuse	10	
20	A210540	1	F1 - 32V 1A	Fusibile - Fuse	10	
21	AM10-085D	1	Deluxe	Scheda Madre - Mother Board	1	
21	AM10-085E	1	Evolution	Scheda Madre - Mother Board	1	
21		1		-		
21	AM10-085L	1	Elite	Scheda Madre - Mother Board	1	
22	50_E0055_00	1		(RX-S1) Ricevitore - Receiver	1	
23	051E00400A	1	(IOS + Android)	Ricevitore Bluetooth - Bluetooth Receiver	1	
24	200Z03000A	1		Bloccascheda - Board block	1	
25	075Z09400A	1		Guarnizione - Gasket	1	
26	075Z08700A	1		Piastra Elastica - Elastic plate	1	
27	075Z07200A	1		Piastra fissaggio - Fixing plate	1	
28	CB01_MRS_670	2	Brush Robot	Cablaggio Motore - Motor Cabling	1	



Battery installation position (Posizione di installazione delle batterie)

- Robot with (Robot con) 1 x 2.3Ah : A=2.5Ah
- Robot with (Robot con) 2 x 2.3Ah : A=2.5Ah, D=2.5Ah
- Robot with (Robot con) 2 x 2.3Ah : A=2.5Ah, C=2.5Ah
- Robot with (Robot con) 1 x 6.9Ah : A=7.5Ah



Tav. **04** **0**
 Tab.
 Taf.

<i>Rif.</i>	<i>Code</i>	<i>Qt.in Robot</i>		<i>(IT) Descrizione * (GB) Description</i>	<i>MOQ</i>	
1	HLN60H29ZU	1	Deluxe, Evolution	(2.3Ah) Caricabatteria - Battery Charger	1	
1	CS_CLG150-30	1	Elite	(5A) Caricabatteria - Battery Charger	1	
2	075Z06200A_15N	1		Base Completa - Complete Base	1	
3	300Z11400A	2		Piastra di Ricarica - Recharging Plate	1	
4	051Z17100A	1		(TX-S2) Trasmittitore - Transmitter	1	
5	075Z06500A	1		Base - Base	1	
6	CB01_85S2	1		Cavo alimentazione ricarica - Recharging supply cable	1	
7	075Z06300A.3	1		Supporto Piastre - Plate support	1	
8	C01559	12		Clips - Clips	12	
9	075Z06400A	1		Coperchio - Cap	1	
10	075Z06700A	1		Gomma - Rubber	1	